

ShurLok^{Pro}

The Professional's Choice

Familiar Keypad Entry

ABC
2

Flexibility of text and/or numbered punch buttons like a phone keypad!



Familiar Phone Keypad Entry



Large Storage Area



Protective Cover



Large Punch Buttons

Easy to use!

Use alpha AND numeric combinations

Large storage area fits keys and cards

Secure key access for others

Never be locked out again

Security, Peace of mind, Convenience



Use Easy-to-Remember Words!

- Convey a marketing message
- Use your company name
- Personalize your combination
- Familiar phone keypad entry
- Convenience of words and/or numbers
- Easy to use punch buttons

Great for:

- Real Estate Agents & Investors
- Property Managers
- Cleaning & Maintenance Personnel
- Children and Family
- Emergency Access to Elderly
- Access Cards
- Deliveries

ShurLok^{Pro}

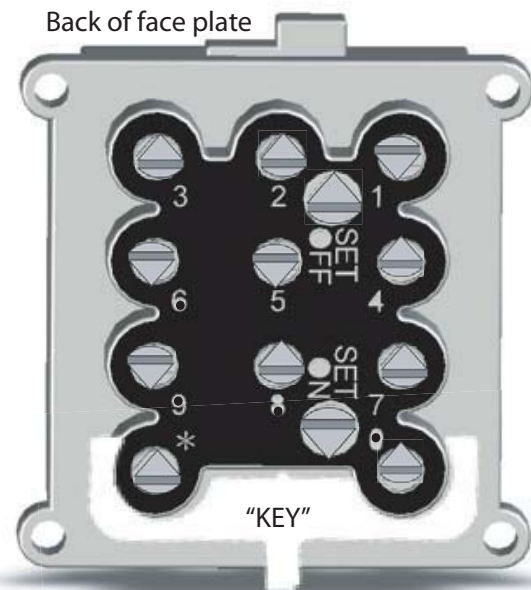
The Professional's Choice

Punch Button Lockbox
www.ShurLok-Products.com
info@shurlok-products.com

Setting the combination:

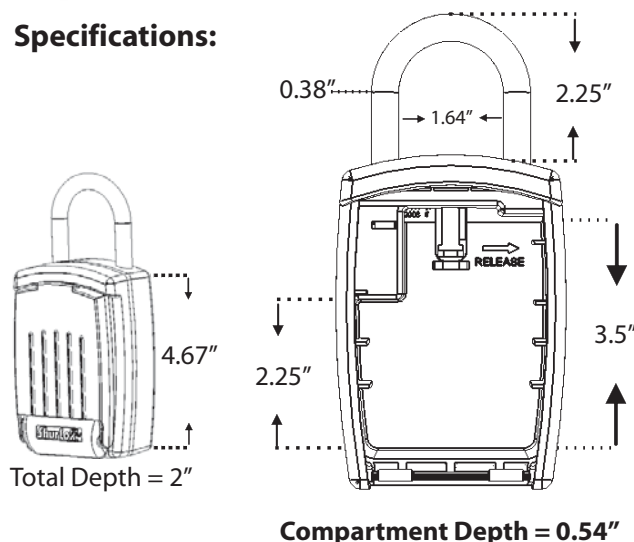
Setting the combination for the ShurLok Pro takes only seconds!

1. The ShurLok Pro does not come pre-set to any combination. Once the front cover is open, push down on open tab to access the backside of the faceplate.
2. On the back of the faceplate, there are 11 yellow buttons with arrows pointing upward. Using the "Key" rotate each number that corresponds with your combination 180 degrees (please see image below)
3. The shackle can be opened by pushing the release tab inside the ShurLok Pro. Once shackle is released, place on door handle and secure by putting back into original position
4. Once the combination is set, you can close the faceplate and begin to use your ShurLok Pro.



Sample Combination of 1965 has been set

Specifications:



Features:

Familiar key pad entry allows for letter or numbered combinations. Not only will this allow for the combination to be easily remembered, it also allows for:

- Company Names
- Marketing Messages
- Personalization



Large Storage Area

- Store Keys
- Access Cards
- Business Cards

Protective Cover

- Weather Resistant
- Protects from Elements
- Removable

Large Punch Buttons

- Easy to use
- Easy to see
- Convenient

Value

- Optional locking shackle
- Competitively priced
- 1 year warranty

Accessories:

Accessories can provide an optional locking shackle or allow the ShurLok Pro to mount to virtually any surface.



- Keyed padlock option for shackle



- Combination padlock option for shackle



- Lever Grip: This will allow the ShurLok Pro to work with Lever Shaped handles



- Mounting Bracket: Bracket used to mount the ShurLok Pro to virtually any surface



- Over the Door Bracket: Allows the ShurLok Pro to be secured to the top of the door instead of on the door handle



- Message Tag: Allows any message to be displayed or allows for a business card



- Cable: For locking to bicycles, meters or anything else you can think of

For More Innovative Security Products
Please Visit www.fjmsecurity.com

FJM Security
18424 Hwy 99
Lynnwood WA 98037

(800) 654-1786
www.fjmsecurity.com
info@fjmsecurity.com